



Automotive
Energy & Power Analysis
Field Service
Environmental
Research & Development

DEWE-2520

Technical reference manual



ISO9001

... the precision signal conditioning company



Copyright © DEWETRON elektronische Messgeraete Ges.m.b.H.

This document contains information which is protected by copyright. All rights are reserved. Reproduction, adaptation, or translation without prior written permission is prohibited, except as allowed under the copyright laws.

All trademarks and registered trademarks are acknowledged to be the property of their owners.

Content

General Information, Safety Instructions	5
Warranty Information	5
Support	5
Printing History.....	5
Safety symbols in the manual	6
Safety instructions for all DEWETRON systems	7
Environmental Considerations	8
Main System	9
DEWE-2520 PC instrument	9
System specifications	9
Connectors	10
A/D & D/A Conversion	A1
Internal Wiring	B1
Declaration of conformity	C1

Technical Reference

The information contained in this document is subject to change without notice.

DEWETRON elektronische Messgeraete Ges.m.b.H. (DEWETRON) shall not be liable for any errors contained in this document. DEWETRON MAKES NO WARRANTIES OF ANY KIND WITH REGARD TO THIS DOCUMENT, WHETHER EXPRESS OR IMPLIED. DEWETRON SPECIFICALLY DISCLAIMS THE IMPLIED WARRANTIES OF MERCHANTABILITY AND FITNESS FOR A PARTICULAR PURPOSE. DEWETRON shall not be liable for any direct, indirect, special, incidental, or consequential damages, whether based on contract, tort, or any other legal theory, in connection with the furnishing of this document or the use of the information in this document.

Warranty Information

A copy of the specific warranty terms applicable to your DEWETRON product and replacement parts can be obtained from your local sales and service office.

Support

For any support please contact your local distributor first or DEWETRON directly.

For Asia and Europe, please contact:

DEWETRON Ges.m.b.H.
Parkring 4
A-8074 Graz-Grambach
AUSTRIA
Tel.: +43 316 3070
Fax: +43 316 307090
Email: support@dewetron.com
Web: <http://www.dewetron.com>

The telephone hotline is available
Monday to Friday between
08:00 and 17:00 CET (GMT +1:00)

For the Americas, please contact:

DEWETRON, Inc.
10 High Street, Suite K
Wakefield, RI 02879
U.S.A.
Tel.: +1 401 284 3750
Toll-free: +1 877 431 5166
Fax: +1 401 284 3755
Email: support@dewamerica.com
Web: <http://www.dewamerica.com>

The telephone hotline is available
Monday to Friday between
08:00 and 17:00 GST (GMT -5:00)

Restricted Rights Legend

Use austrian law for duplication or disclosure.

DEWETRON GesmbH
Parkring 4
A-8074 Graz-Grambach / Austria

Printing History

Please refer to the page bottom for printing version.

Copyright © DEWETRON elektronische Messgeraete Ges.m.b.H.

This document contains information which is protected by copyright. All rights are reserved. Reproduction, adaptation, or translation without prior written permission is prohibited, except as allowed under the copyright laws.

All trademarks and registered trademarks are acknowledged to be the property of their owners.

Safety instructions

Safety symbols in the manual



Indicates hazardous voltages.

WARNING *Calls attention to a procedure, practice, or condition that could cause bodily injury or death.*

CAUTION *Calls attention to a procedure, practice, or condition that could possibly cause damage to equipment or permanent loss of data.*

WARNINGS

The following general safety precautions must be observed during all phases of operation, service, and repair of this product. Failure to comply with these precautions or with specific warnings elsewhere in this manual violates safety standards of design, manufacture, and intended use of the product. DEWETRON Elektronische Messgeraete Ges.m.b.H. assumes no liability for the customer's failure to comply with these requirements.

All accessories shown in this document are available as option and will not be shipped as standard parts.



*For safety reasons max. 50 V may be applied to the BNC input-connectors!
Refer to the regulation of maximum allowable touch potential.*

Safety instructions for all DEWETRON systems

- The DEWETRON data acquisition systems may only be installed by experts.
- Read your manual before operating the system.
- Observe local laws when using the instrument.
- Ground the equipment: For Safety Class 1 equipment (equipment having a protective earth terminal), a non interruptible safety earth ground must be provided from the mains power source to the product input wiring terminals or supplied power cable.
- DO NOT operate the product in an explosive atmosphere or in the presence of flammable gases or fumes and do not bring the system in contact with water.
- DO NOT operate damaged equipment: Whenever it is possible that the safety protection features built into this product have been impaired, either through physical damage, excessive moisture, or any other reason, REMOVE POWER and do not use the product until safe operation can be verified by service-trained personnel. If necessary, return the product to a DEWETRON sales and service office for service and repair to ensure that safety features are maintained.
- Keep away from live circuits: Operating personnel must not remove equipment covers or shields. Procedures involving the removal of covers or shields are for use by service-trained personnel only. Under certain conditions, dangerous voltages may exist even with the equipment switched off. To avoid dangerous electrical shock, DO NOT perform procedures involving cover or shield removal unless you are qualified to do so.
- No modifications are allowed at the instrument. The fuse in the power module has to be replaced by the same type. For continued protection against fire, replace the line fuse(s) only with fuse(s) of the same voltage and current rating and type. DO NOT use repaired fuses or short-circuited fuse holder labels and print on the power module may not be removed.
- DO NOT service or adjust alone. Do not attempt internal service or adjustment unless another person, capable of rendering first aid and resuscitation, is present.
- DO NOT substitute parts or modify equipment: Because of the danger of introducing additional hazards, do not install substitute parts or perform any unauthorized modification to the product. Return the product to a DEWETRON sales and service office for service and repair to ensure that safety features are maintained.
- Before opening the instrument (experts only) or exchanging the fuse in the power module disconnect power!
- Don't touch internal wiring!
- Don't use higher supply voltage than specified and take care of the correct polarity, otherwise the system will be damaged!
- Use only original plugs and cables for harnessing.
- Install filler-panels in unused slots.
- The power-cable and -connector serve as Power-Breaker. The cable must not exceed 10 feet, disconnect function must be possible without tools.
- Keep the ventilation slots free and check them frequently to avoid an overheating of the system. The cleaning interval of the filter pads depends on the environmental conditions.
- Safety of the operator and the unit depend on following these rules.
- DEWETRON is not responsible for any damage or injury that could result from improper connection or misuse!

General Information

CAUTION

- The system BIOS is protected by password. Any change in the BIOS may cause a system crash. When the system is booting, do not press ESC-button on keyboard. This may clear the BIOS settings and cause system faults.
- Any change in the file structure as deleting or adding files or directories might cause a system crash.
- Before installing software updates contact DEWETRON or your local distributor. Use only software packages which are released by DEWETRON. Further informations are also available in the internet (<http://www.dewetron.com>).
- After power off the system wait at least 10 seconds before switching the system on again. Otherwise the system may not boot correct. This prolongs also the life of all system components.

Environmental Considerations

Information about the environmental impact of the product.

Product End-of-Life Handling

Observe the following guidelines when recycling a DEWETRON system:

System and Components Recycling

Production of these components required the extraction and use of natural resources. The substances contained in the system could be harmful to your health and to the environment if the system is improperly handled at it's end of life! Please recycle this product in an appropriate way to avoid an unnecessary pollution of the environment and to keep natural resources.



This symbol indicates that this system complies with the European Union's requirements according to Directive 2002/96/EC on waste electrical and electronic equipment (WEEE). Please find further informations about recycling on the DEWETRON web site www.dewetron.com



Restriction of Hazardous Substances

This product has been classified as Monitoring and Control equipment, and is outside the scope of the 2002/95/EC RoHS Directive. This product is known to contain lead.

DEWE-2520 PC instrument

- Portable data acquisition system
- Up to 16 channels with isolation
(in conjunction with DEWE-DAQ modules)
- Up to 256 channels with external expansion racks
- A/D converter specs see appendix A



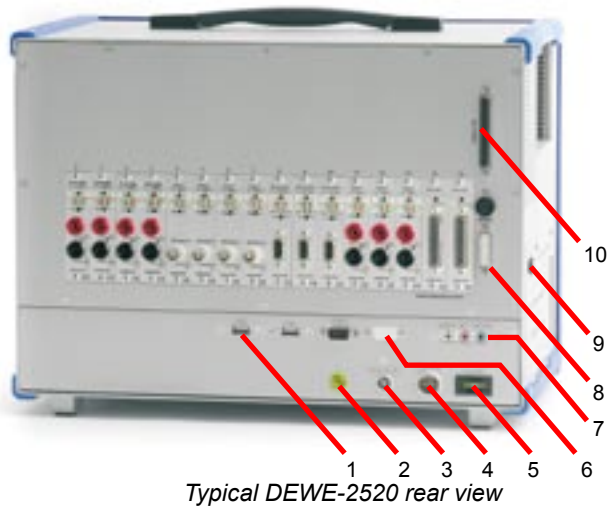
System specifications

	DEWE-2520	
Power supply:	18 to 24 V _{DC}	
Battery management	<input type="checkbox"/> BB-04 (150 W) <input type="checkbox"/> MP-04 (192 W)	
DC-DC converter	<input type="checkbox"/> Dual DC-DC converter module <input type="checkbox"/> DC-023 <input type="checkbox"/> DC-023-12V for details see next pages	
Operating temperature:	0 °C to +50 °C when discharging batteries 0 °C to +45 °C when charging batteries	
Storage temperature:	-20 °C to +70 °C	
Humidity (operating):	10 % to 80 %, non condensing 5 % to 95 %, rel. humidity	
Vibration test* EN 60068-2-6 (exceeds MIL-STD 810F 514.5 procedure I)	Shape Frequency range Acceleration Sweep rate Duration Test in 3 directions	Sine 10 - 150 Hz 2 g 1 oct./min. 20 Cycles
Vibration test* EN 60721-3-2 Class 2M2	Shape Frequency range Power spectral density Duration	Random 10 - 200 Hz 1 m/s ² / Hz from 10 – 200 Hz 30 Minutes per axis
Shocktests* EN 60068-2-27 (Exceeds MIL-STD 810F 516.5 procedure I)	Shape Acceleration amplitude Duration Test in 3 axis, 3 shocks in each axis and direction	Half-sine 15 g 11 ms
Dimensions (W x H x D):	approx. 409 x 291 x 216 mm (16.1 x 11.5 x 8.5 in.)	
Weight:	typ. 12 kg (26 lbs), depending on configuration	
*) tested with SSD disc		

Note: *If you don't use the system for more than 2 weeks, please remove the batteries and store them separately! Otherwise the batteries will be discharged completely and may be destroyed!*

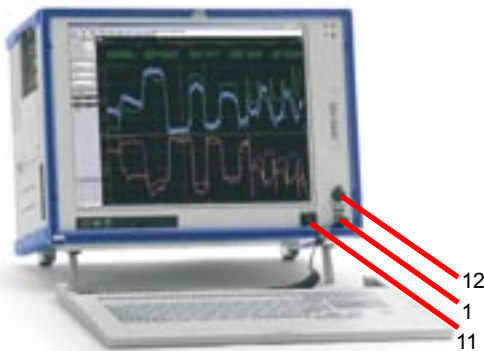
Main System

Connectors



Connector overview:

- 1 USB interface connectors
- 2 Ground connector
- 3 Power supply for accessories (12 V_{DC} / 1.8 A)
- 4 Power supply input
- 5 Power supply fuse (20 A)
- 6 RS-232 interface connector
- 7 Audio device (LINE IN, MIC, LINE OUT)
- 8 RS-485 connector (for EPAD)
- 9 Batteries
- 10 Digital I/O connector
- 11 Power-on button
- 12 Display brightness



Note: The location of the connectors might vary from system to system and depends on configuration

Power supply connector

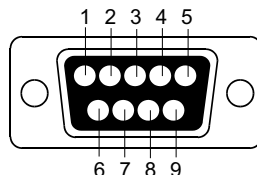
The system fuse for DC power supply is located beside the power supply connector. If the system doesn't work after switching on, disconnect the power cord and check the fuse.

RS-232 interface connector

The RS-232 interface connector (male) is located on the left side of the DEWE-2520. It can be used for mouse or other peripheral units.



9-pin SUB-D connector (male)



Schematic

Pin assignment

- 1: DCD (Data Carrier Detector)
- 2: RD (Received Data)
- 3: TD (Transmitted Data)
- 4: DTR (Data Terminal Ready)
- 5: GND (Ground)
- 6: DSR (Data Set Ready)
- 7: RTS (Request To Send)
- 8: CTS (Clear To Send)
- 9: RI (Ring Indicator)

External DC/DC power supply (option)

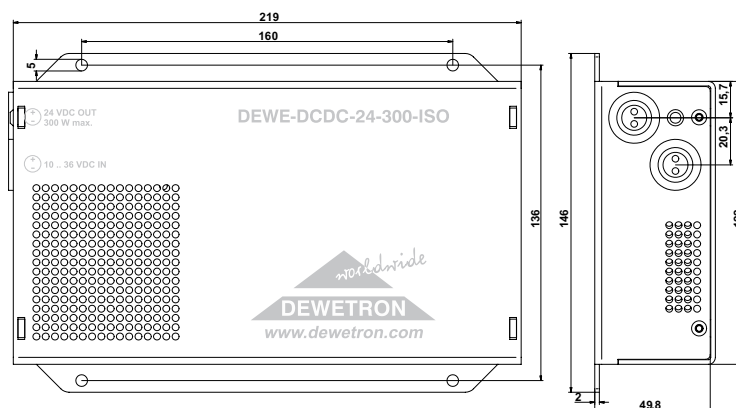
DC/DC Power supply	DEWE-DCDC-24-300-ISO
Input:	
Input voltage:	10 to 36 V _{DC} (the input is protected against wrong polarity)
Max. input current:	36 A @ 10 V _{DC} input voltage (15 A @ 24V _{DC})
Input connector:	2-pin LEMO connector male, type: EGJ.3B.302.CLA
Output:	
Output voltage:	24 V
Output power:	300 W
Output current:	12.5 A
Output connector:	2-pin LEMO connector female, type: EGG.3B.302.CLL
Operating temperature:	-20 °C to 60 °C
Derating above 45 °C:	8 Watt/°C
Isolation Voltage:	500 V _{DC}
Status LED:	Green LED indicates an output voltage > 21 V _{DC}
Dimensions (W x D x H):	approx. 219 x 122 x 50 mm (8.6 x 4.8 x 2 in.)
Weight:	1.3 kg (2.9 lbs)
Power-on sequence:	First: Connect the system and the DCDC! Followed by the DCDC and the power supply connection.

As an option the DEWE-2520 is shipped with the DEWE-DCDC-24-300-ISO. This power supply serves galvanic isolated voltage with a wide input range from 10 to 36 V_{DC}. The output voltage is fixed with 24 V_{DC} with a maximum output power of 300 W.

Depending on the configuration, the DEWE-2520 takes usually not more than 150 W. The typical power consumption is just around 70 W. However, if the batteries are empty the input current can go up to 12 Ampere which is an equivalent power consumption of 280 Watt! If the unit is supplied from a typical board supply of 12 V it needs an input current of 28 A!

If this high power is not available in the board supply please operate the DEWE-501 without or with charged batteries.

Dimensions*



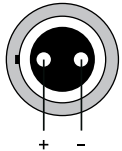
* Dimensions in mm
(1 inch = 25.4 mm)

Main System

192 W DC power supply

192 W DC power supply		
Input:		
Input range:	18 to 24 V _{DC} (nom. 18 V _{DC})	
Input frequency:	DC	
Max. input current:	12 A	
Output:		
Output power:	150 W with BB-04 battery management	
	192 W with MP-04 battery management	
Output voltages:	Single DC-DC converter module	Dual DC-DC converter module
	+3.3 V (max. 10 A)	+3.3 V (max. 19 A)
	+5 V (max. 10 A)	+5 V (max. 19 A)
	+12 V (max. 7 A)	+12 V (max. 13 A)
DC-023-12V option:	-12 V (max. 0.25 A)	-12 V (max. 0.45 A)

Power supply pin assignment:



Connector type
2-pin. male
LEMO EGJ.3B.302.CLA

*Note: If the system is powered by batteries, please take care that there are at least 2 batteries installed!
In some special applications 3 batteries are necessary! (Hot swap of the batteries not possible)*

USB interface connectors (Universal Serial Bus)

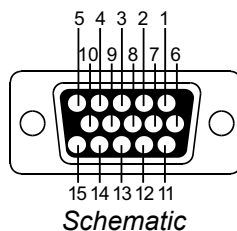
The USB interface connectors meets standard USB pin assignment.

VGA connector

The VGA connector offers the possibility to connect an external CRT or other standard VGA displays to the system.



15-pin mini-SUB-D connector (male)



Pin assignment

- 1: Red video
- 2: Green video / Sync on green
- 3: Blue video
- 4: -
- 5: -
- 6: Red video ground
- 7: Green video ground
- 8: Blue video ground
- 9: -
- 10: Ground
- 11: Ground
- 12: Data line
- 13: H-Sync / HV-Sync
- 14: V-Sync
- 15: Clock line

Ethernet connector

The DEWE-2520 system supports 10/100/1000 BaseT Ethernet with standard RJ45 connector.

Power-on button

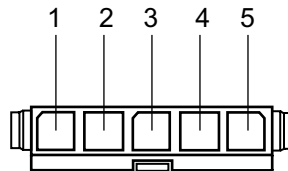
The power-on button has to be used to switch on the system. To shut down the system exit windows and press the power-on button for more than 3 seconds.

Power supply backplane / cooling fan

The MOLEX connector is the internal power supply connection to the internal rack and the EPAD system, mounted on the backplane of the DEWE-2520 system.



5-pin MOLEX connector



Schematic

Pin assignment

1:	+12 V (EPAD supply)
2:	GND(EPAD supply)
3:	+12 V
4:	GND
5:	-12V

LCD display for battery status

The LCD Display contains two lines of information. One line is used for a bar graph displaying the amount of charge left in the battery system. The bar graph also indicates if the battery is charging or discharging.



The second line of the LCD display can show the power consumption and the current entering or leaving the battery subsystem. The second line of the display can also show the time of fully charged when charging the batteries or the time to fully discharge the batteries when power to the system is being supplied by the batteries.

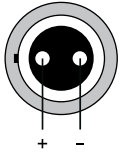
Main System

Ground connectors

For some kind of measurements, it's necessary to give the system an additional ground connection.

Power supply for accessories

To supply your accessories with 12 V_{DC}. Fused with an 1.8 A self-healing fuse.



Connector type
2-pin. female
LEMO EGG.1B.302.CLL



*For safety reasons max. 50 V may be applied to the BNC input-connectors!
Refer to the regulation of maximum allowable touch potential.*

A/D & D/A Conversion

A/D Conversion

Detailed information about the A/D card are not included in this manual.

For detailed information see the manufacturer's A/D card manual.

D/A Conversion

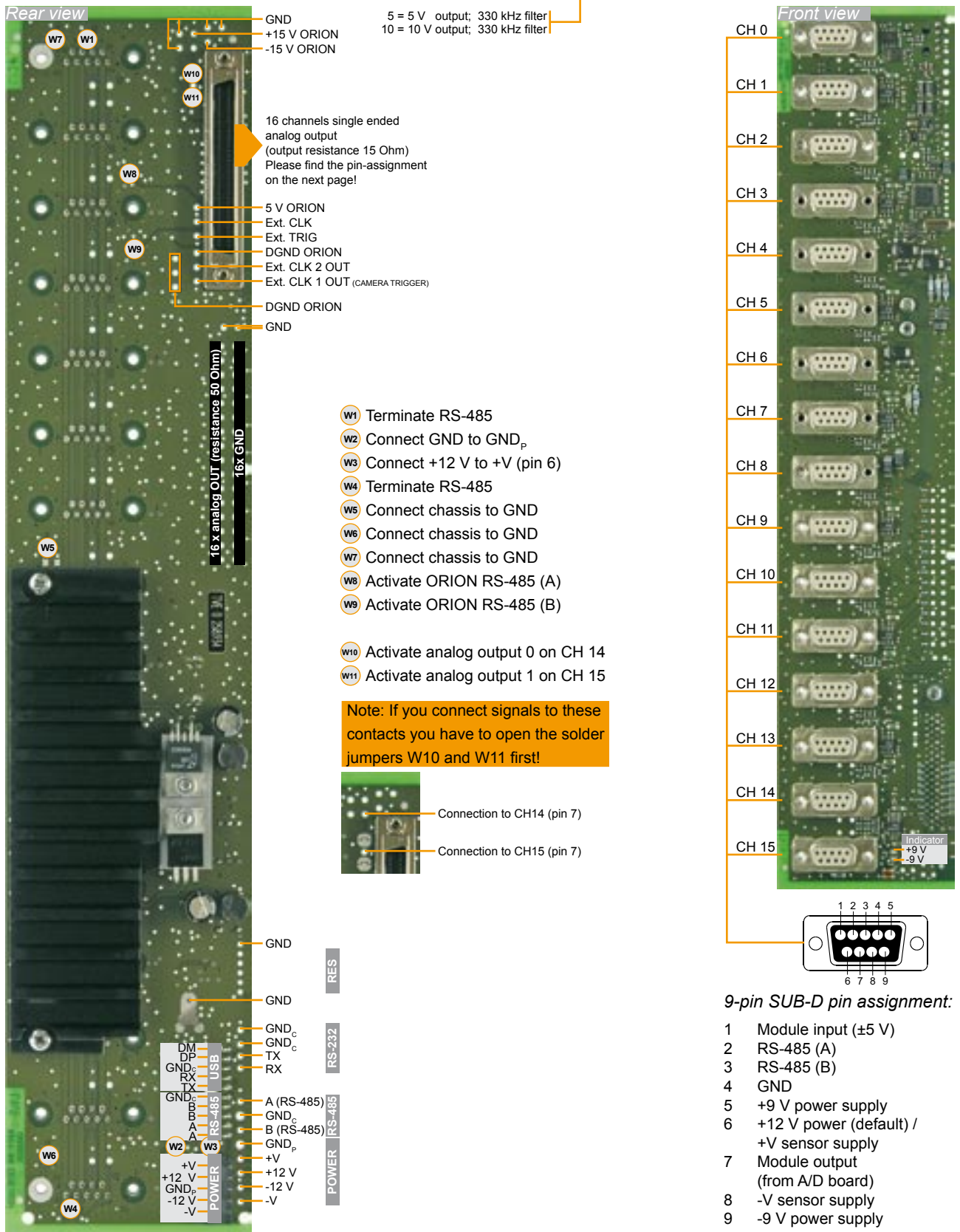
Detailed information about the D/A card are not included in this manual.

For detailed information see the manufacturer's D/A card manual.

A/D & D/A Conversion

Notes

16 slot DEWE-MOTHERBOARD DAQ-MOTH-16-DE-x

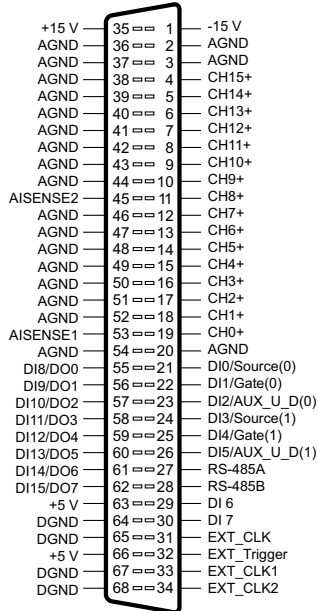


The 16 slot DEWE-MOTHERBOARD receives the ± 12 V_{DC} power supply via a DC/DC converter from the internal power supply.

Internal Wiring

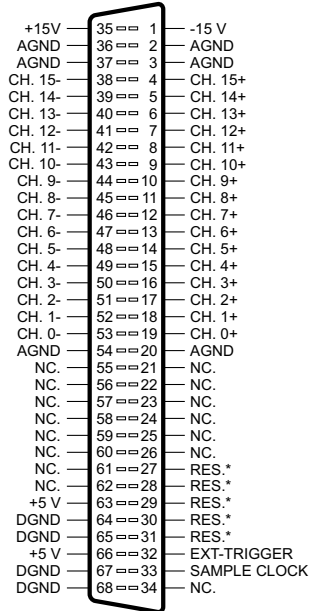
Analog output connector pin-assignment

Connector for DEWE-ORION-1616 cards



68-pin high density connector

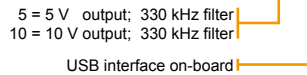
Connector for DEWE-ORION-1624 cards



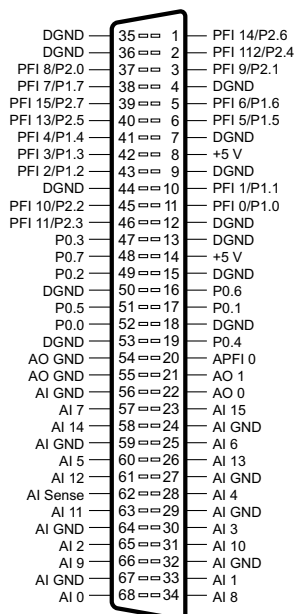
* DONT CONNECT

68-pin high density connector

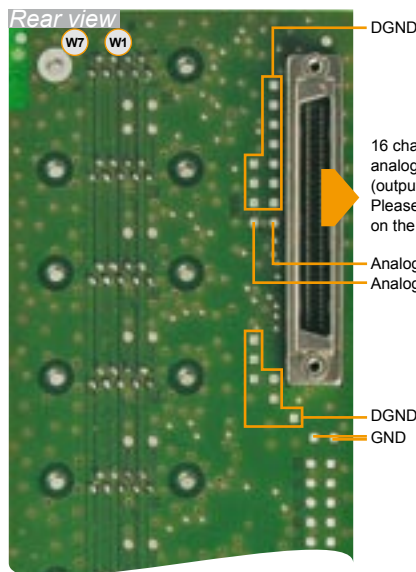
16 slot DEWE-MOTHERBOARD DAQ-MOTH-16-NI-x-U



Connector for National Instruments™ A/D cards



68-pin high density connector



16 channels single ended analog output (output resistance 15 Ohm) Please find the pin-assignment on the next page!

Analog OUT Ch. 1
Analog OUT Ch. 0

- W1 Terminate RS-485
- W2 Connect GND to GND_P
- W3 Connect +12 V to +V (pin 6)
- W4 Terminate RS-485
- W5 Connect chassis to GND
- W6 Connect chassis to GND
- W7 Connect chassis to GND

Declaration of conformity

Following products are in conformity with EN50081 (Electromagnetic compatibility, generic emission standard for light and heavy industry) and EN50082 (Electromagnetic compatibility, generic immunity standard for light and heavy industry):

DEWE-2000 / DEWE-2010 / DEWE-2500 series

DEWE-3000 / DEWE-3010 / DEWE-3020 series

DEWE-4000 / DEWE-4010 series

DEWE-200 series

DEWE-500 series

DEWE-5000 series

DEWE-600 series

DEWE-800 series

DEWE-900 series

DEWE-BOOK series

DEWE-RACK series

DAQ / MDAQ modules series

PAD / EPAD modules series

Note: Enhanced EMC specifications are achieved when using DC power supply input.

Manufacturer: DEWETRON Elektronische Messgeraete Ges.m.b.H.
Parkring 4
A-8074 Graz-Grambach
Austria
Tel.: +43 316 3070 0
Fax: +43 316 3070 90
e-mail: sales@dewetron.com
<http://www.dewetron.com>

Graz, Nov. 15th, 2004



Ing. Herbert Wernigg
Managing director

Notes
