

## Car seat mounting kit for DEWE-260X

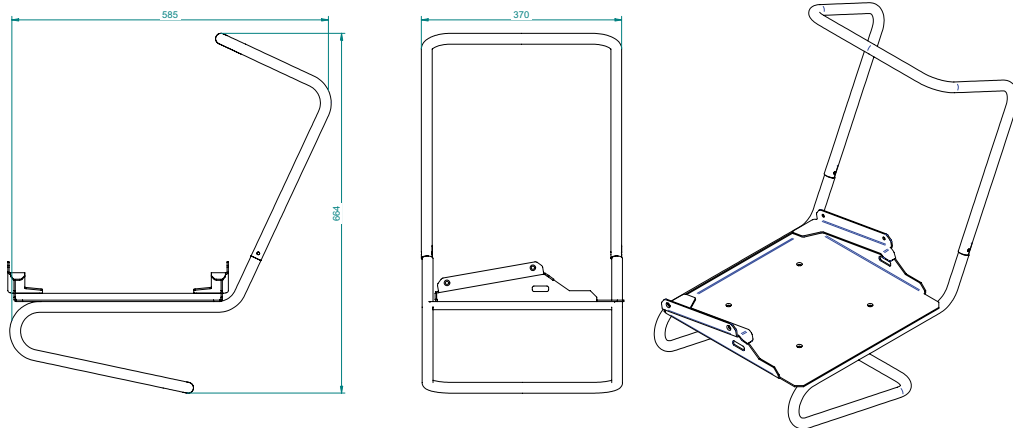
The car seat mounting kit (CSMK) is intended to allow the DEWE-260X data acquisition system to be securely strapped to the front, center, or back seat of nearly any motor vehicle. The CSMK is an important tool that will assist test engineers in securing the DEWE-260X during moving vehicle tests, for both safety and ease of operation.

- Welded metal construction
- Heavy duty straps for car seat and keyboard
- Fixing with screws



## Dimensions

Weight: 5 kg (10 lbs)



Dimensions in mm  
(1 inch = 25.4 mm)

## Important security information



**Caution:** Always ensure that the DEWE-260X system, or any heavy object inside a moving vehicle, is securely strapped down! Any heavy object within a moving vehicle can become a deadly projectile due to sudden stops or changes in direction, therefore all possible care should be taken to ensure that all occupants and objects within a vehicle are carefully and securely held down according to all applicable federal and local laws and ordinances, company policies, and common sense.

Always secure the DEWE-260X or any heavy object with at least equal care as you would use for a human being. This is for the safety of the human beings who might be in or around the vehicle. DEWETRON cannot be responsible for injury, death, damage, or any kind of loss resulting from the use, proper or improper, of the DEWE-260X, the CSMK, or any other items or services provided by DEWETRON. Use them at your own risk.

Do not place the CSMK in front of the air bag module cover or in front of the seat areas that may come in contact with a deploying air bag! If mounted on passenger seat, disable air bag!

# 260X-CSMK

---

## Setup and Overview

This is to familiarize the user with initial set-up of the CSMK for the DEWE-260X. Start with the DEWE-260X and the CSMK on a flat surface.

After bringing the CSMK to an upright position, set the DEWE-260X down carefully on the CSMK as shown. Fix it with the screws on both side panels of the unit.



Two straps will be used to strap the completed DEWE-260X / CSMK assembly to the seat of your vehicle. The third strap is used to strap down the keyboard.



Now it is ready to be strapped onto the seat of your car. There are many possible ways to do this, according to whether you want the system in the front or back seat, facing the driver or not, and which kind of vehicle and seat type is being used. Therefore, it is nearly impossible for us to show all the possible ways this can be achieved.