

Car seat mounting kit for DEWE-5000

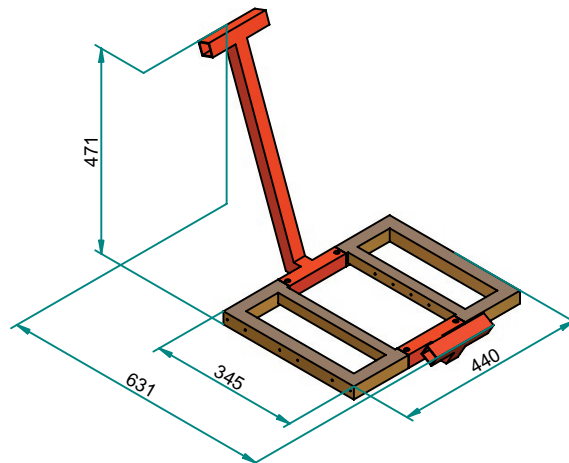
The car seat mounting kit (CSMK) is intended to allow the DEWE-5000 data acquisition system to be securely strapped to the front, center, or back seat of nearly any motor vehicle. The CSMK is an important tool that will assist test engineers in securing the DEWE-5000 during moving vehicle tests, for both safety and ease of operation.

- Welded metal construction
- Heavy duty straps for car seat
- Padded bottom side avoids seat damages and improves the stability



Dimensions

Weight: 6.4 kg (14 lbs)



Dimensions in mm
(1 inch = 25.4 mm)

Caution:

Always ensure that the DEWE-5000 system, or any heavy object inside a moving vehicle, is securely strapped down!

Any heavy object within a moving vehicle can become a deadly projectile due to sudden stops or changes in direction, therefore all possible care should be taken to ensure that all occupants and objects within a vehicle are carefully and securely held down according to all applicable federal and local laws and ordinances, company policies, and common sense.

Always secure the DEWE-5000 or any heavy object with at least equal care as you would use for a human being. This is for the safety of the human beings who might be in or around the vehicle

DEWETRON cannot be responsible for injury, death, damage, or any kind of loss resulting from the use, proper or improper, of the DEWE-5000, the CSMK, or any other items or services provided by DEWETRON. Use them at your own risk.

Do not place the CSMK in front of the air bag module cover or in front of the seat areas that may come in contact with a deploying air bag!

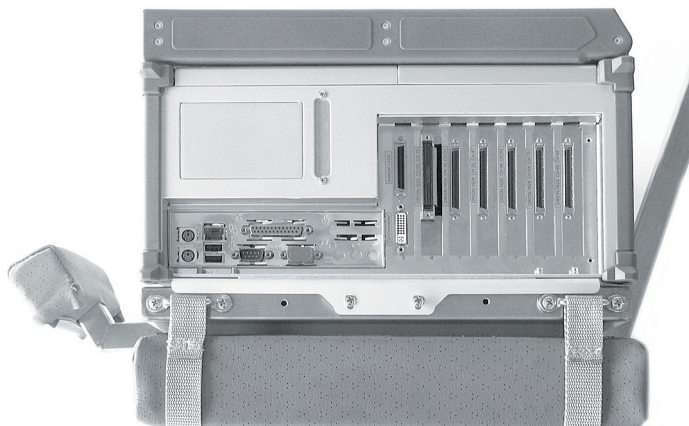
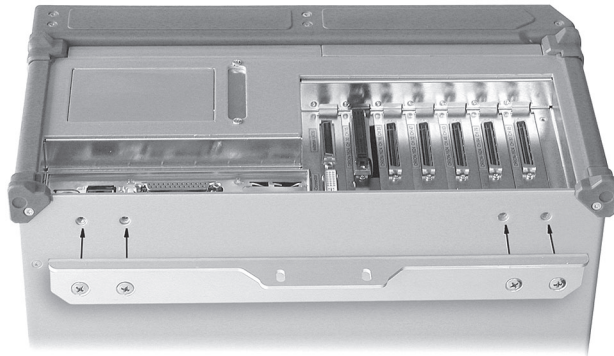
5000-CSMK

Setup and Overview

This is to familiarize the user with initial set-up of the CSMK for the DEWE-5000. Start with the DEWE-5000 and the CSMK on a flat surface.

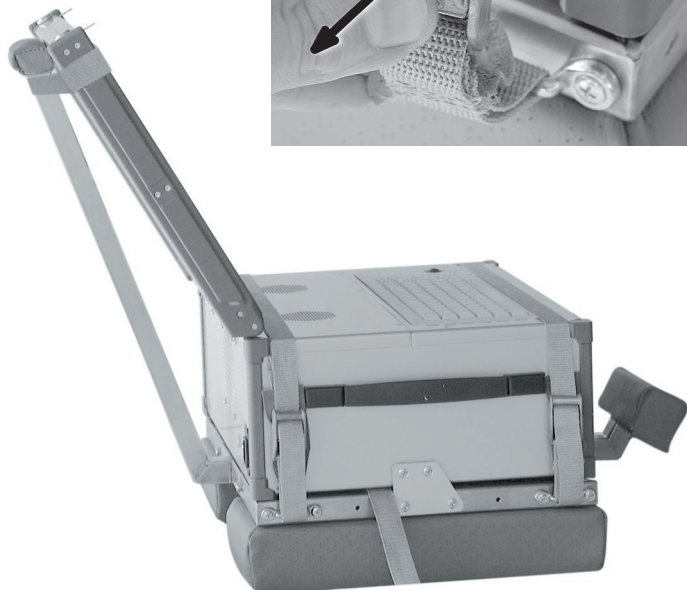
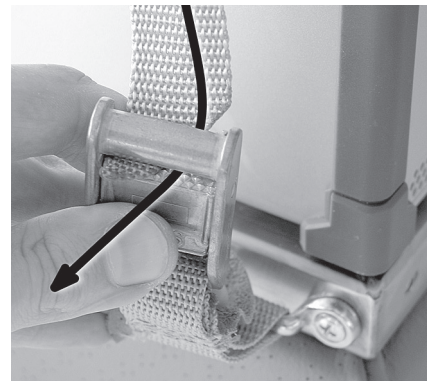
Next, tip the DEWE-5000 on the left side carefully so that you can see the holes for the special plate that must be installed on this unit in order to make it compatible with the CSMK option and mount the plate with four screws.

After bringing the DEWE-5000 back to an upright position, carefully lift it up and set it down carefully on the the CSMK as shown. Fix it with two screws on the right and two on the left side of the unit.



Next, locate the straps which are included with each CSMK. Two for strapping the DEWE-5000 to the CSMK and one to fix the display. Dont use the CSMK without the straps - the screws are not specified to carry the whole weight of the DEWE-5000!

Two straps will be used to strap the completed DEWE-5000 / CSMK assembly to the seat of your vehicle. The completed assembly looks like this:



Now it is ready to be strapped onto the seat of your car. There are many possible ways to do this, according to whether you want the system in the front or back seat, facing the driver or not, and which kind of vehicle and seat type is being used. Therefore, it is nearly impossible for us to show all the possible ways this can be achieved.