



DEWETRON

---

▼

# DEWE-CAM-GIGE-SPLIT-01

TECHNICAL REFERENCE MANUAL

---

▼

**WELCOME TO  
THE WORLD OF  
DEWETRON!**

Congratulations on your new device! It will supply you with accurate, complete and reproducible measurement results for your decision making.

Look forward to the easy handling and the flexible and modular use of your DEWETRON product and draw upon more than 30 years of DEWETRON expertise in measurement engineering.

---

▼

ISO9001



**THE MEASURABLE DIFFERENCE.**

Copyright © DEWETRON GmbH

This document contains information which is protected by copyright. All rights are reserved. Reproduction, adaptation, or translation without prior written permission is prohibited, except as allowed under the copyright laws.

All trademarks and registered trademarks are acknowledged to be the property of their owners.

## Preface

### Thank you!

Thank you very much for your investment in DEWETRON's unique data acquisition systems. These are top-quality instruments which are designed to provide you years of reliable service. This guide has been prepared to help you get the most from your investment, starting from the day you take it out of the box, and extending for years into the future.

This guide includes important startup notes, as well as safety notes and information about keeping your DEWETRON system in good working condition over time. However, this manual cannot and is not intended to replace adequate training.

This documentation contains operating as well as safety and care instructions that must be observed by the user. Faultless operation can only be guaranteed by observing these instructions.

### Intended use

This product is used for connecting up to 4 DEWE-CAM-GIGE-120 or DEWE-CAM-GIGE-50-HD cameras with an integrated Gigabit Ethernet interface switch. This small rugged box comes with an installed power supply for up to 4 cameras.

### System overview

The picture below shows an overview of the device and its connections and ports.

#### INFORMATION

The amount and location of the connectors might vary from system to system and depend on the system configuration.



Fig. 1: DEWE-CAM-GIGE-SPLIT-01 overview

- |  |   |
|--|---|
| 1. Power supply input (EGJ.2B.302)   | 6. Camera TRG/POW connector (EGG.1B.305)      |
| 2. Fuse for power supply (20 A)  | 7. TRG In / Remote On connector               |
| 3. Screw for fixing aid  | 8. System / alert LEDs (of integrated switch) |
| 4. Remote power-on switch  | 9. GBit LAN interface connectors              |
| 5. Power supply output for accessories (12 V <sub>DC</sub> ) LEMO EGG.1B.302 |   |



---

# PREFACE

Notes

---

# TABLE OF CONTENTS

<b>Preface</b> .....	<b>3</b>	<b>Maintenance and service</b> .....	<b>19</b>
Thank you!.....	3	Service interval .....	19
Intended use .....	3	Cleaning.....	19
System overview .....	3	Replacing the fuse.....	19
		Updates .....	19
		Software updates .....	19
		Windows and antivirus/security software .....	20
<b>Safety</b> .....	<b>7</b>	<b>Training</b> .....	<b>20</b>
<b>Safety instructions</b> .....	<b>7</b>	<b>Calibration</b> .....	<b>20</b>
General safety instructions .....	7	<b>Support</b> .....	<b>20</b>
Electrical safety instructions .....	8	<b>Service and repairs</b> .....	<b>20</b>
Ambient safety notices.....	8		
Safety notices during operation .....	9		
<b>Standards and norms</b> .....	<b>9</b>		
<b>Typographic conventions</b> .....	<b>9</b>		
Safety and warning notices .....	9		
Notices .....	10		
Symbols.....	10		
		<b>Certificate of conformity</b> .....	<b>23</b>
<b>General information</b> .....	<b>11</b>		
<b>Environmental considerations</b> .....	<b>11</b>		
<b>Problematic network stacks</b> .....	<b>11</b>		
<b>Warranty information</b> .....	<b>11</b>		
<b>Legal information</b> .....	<b>11</b>		
Restricted rights legend .....	11		
Legal disclaimer.....	11		
<b>Printing history</b> .....	<b>12</b>		
<b>Main system</b> .....	<b>13</b>		
<b>Key facts</b> .....	<b>13</b>		
<b>System specifications</b> .....	<b>13</b>		
<b>General description</b> .....	<b>14</b>		
<b>Dimensions*</b> .....	<b>14</b>		
<b>Connections and ports</b> .....	<b>15</b>		
<b>Frame rates</b> .....	<b>17</b>		
DEWE-CAM-GIGE-120 frame rates at different Aol .....	17		
DEWE-CAM-GIGE-50-HD frame rates at different Aol .....	17		
<b>Mounting examples</b> .....	<b>18</b>		



---

# TABLE OF CONTENTS

Notes

## Safety

### Safety instructions

The following section contains warning and safety instructions that must be observed by the user. Faultless operation can only be guaranteed if these instructions are observed.

#### General safety instructions

- ▶ Use this system under the terms of the specifications only to avoid any possible danger. If the unit is used in a manner not specified by the manufacturer the protection can be impaired.
- ▶ Maintenance is to be executed by qualified staff only.
- ▶ DO NOT use the system if equipment covers or shields are removed.
- ▶ If you assume the system is damaged, have it examined by authorized personnel only.
- ▶ Any other use than described above may damage your system and is attended with dangers such as short-circuits, fire or electric shocks.
- ▶ The whole system must not be changed, rebuilt or opened (except for changing TRION modules).
- ▶ Reinstall filler panels of unused TRION slots to guarantee proper cooling of the installed modules. The warranty is void if the modules overheat due to missing filler panels.
- ▶ If you assume a more riskless use is not provided anymore, the system has to be rendered inoperative and should be protected against inadvertent operation. It is assumed that a more riskless operation is not possible anymore, if
  - the system is damaged obviously or causes strange noises.
  - the system does not work anymore.
  - the system has been exposed to long storage in adverse environmental.
  - the system has been exposed to heavy shipment strain.
- ▶ The warranty is void if damages caused by disregarding this manual. For consequential damages NO liability will be assumed.
- ▶ The warranty is void if damages to property or persons caused by improper use or disregarding the safety instructions.
- ▶ Unauthorized changing or rebuilding the system is prohibited due to safety and permission reasons (CE). Exception: changing DAQP/PAD/HSI/TRION/TRION3 modules.
- ▶ Prevent using metal bare wires as there is a risk of short-circuit and fire hazard.
- ▶ DO NOT use the system before, during or shortly after a thunderstorm (risk of lightning and high energy overvoltage). An advanced range of application under certain conditions is allowed with therefore designed products only. For details refer to the specifications.
- ▶ Make sure that your hands, shoes, clothes and as well as the floor, the system or measuring leads, integrated circuits etc. are dry.
- ▶ Use measurement leads or measurement accessories aligned to the specification of the system only. Fire hazard in case of overload.
- ▶ Do not disassemble the system. There is a high risk of getting a perilous electric shock. Capacitors still might be charged, even the system has been removed from the power supply.
- ▶ The measuring systems are not designed for use at humans and animals.
- ▶ Contact a professional if you have doubts about the method of operation, safety or the connection of the system.
- ▶ Handle the product with care. Shocks, hits and dropping it even from an already lower level may damage your system.
- ▶ Also consider the detailed technical reference manual as well as the security advices of the connected systems.

# SAFETY

## Electrical safety instructions

- ▶ With this product, only use the power cable delivered or defined for the host country.
- ▶ DO NOT connect or disconnect sensors, probes or test leads, as these parts are connected to a voltage supply unit.
- ▶ The system is grounded via a protective conductor in the power supply cord. To avoid electric shocks, the protective conductor has to be connected with the ground of the power network. Before connecting the input or output connectors of the system, make sure that there is a proper grounding to guarantee potential free usage. For countries, in which there is no proper grounding, refer to your local legally safety regulations for safety use.
- ▶ DC systems: Every DC system has a grounding connected to the chassis (yellow/green safety banana plug).
- ▶ Note the characteristics and indicators on the system to avoid fire or electric shocks. Before connecting the system, carefully read and understand the corresponding specifications in the product manual.
- ▶ The inputs are not, unless otherwise noted (CATx identification), for connecting to the main circuits of category II, III and IV. The measurement category can be adjusted depending on module configuration.
- ▶ The power cord separates the system from the power supply. Do not block the power cord since it has to be accessible for the users.
- ▶ Any direct voltage output is protected with a fuse against short-circuits and reverse-polarity, but is NOT galvanically isolated (except it is explicit marked on the system).
- ▶ Supply overvoltage category is II.
- ▶ The system must be connected and operated to an earthed wall socket at the AC mains power supply only (except for DC systems).
- ▶ DO NOT touch any exposed connectors or components if they are live wired. The use of metal bare wires is not allowed. There is a risk of short-circuits and fire hazard.
- ▶ The assembly of the system is equivalent to protection class I. For power supply, only the correct power socket of the public power supply must be used, except the system is DC powered.
- ▶ Be careful with voltages  $>25 V_{AC}$  or  $>35 V_{DC}$ . These voltages are already high enough in order to get a perilous electric shock by touching the wiring.
- ▶ Unless otherwise stated, the maximum input voltage for measuring cards is  $70 V_{DC}$  and  $46.7 V_{PEAK}$
- ▶ The electrical installations and equipments in industrial facilities must be observed by the security regulations and insurance institutions.

## Ambient safety notices

- ▶ This product is intended for use in industrial locations. As a result, this product may cause interference if used in residential areas. Such use must be avoided unless the user takes special measures to reduce electromagnetic emissions to prevent interferences to the reception of radio and television broadcasts.
- ▶ Do not switch on the system after transporting it from a cold into a warm room and vice versa. The thereby created condensation may damage your system. Acclimatise the system unpowered to room temperature.
- ▶ Avoid operation in the immediate vicinity of:
  - High magnetic or electromagnetic fields
  - Transmitting antennas or high-frequency generators
- ▶ Any use in wet rooms, outdoors or in adverse environmental condition is not allowed. Adverse environmental conditions are:
  - Moisture or high humidity
  - Dust, flammable gases, fumes or dissolver
  - Thunderstorm or thunderstorm conditions (except assembly PNA)
  - Electrostatic fields etc.
- ▶ DO NOT use the system in rooms with flammable gases, fumes or dust or in adverse environmental conditions.



- ▶ Direct exposure of any DEWETRON product to strong sunlight or other heat radiation shall be prevented, as this could excessively heat up the product and lead to permanent damage of the product.
- ▶ The use of the measuring system in schools and other training facilities must be observed by skilled personnel.

## Safety notices during operation

- ▶ During the use of the system, it might be possible to access another parts of a more comprehensive system. Read and follow the safety instructions provided in the manuals of all other components regarding warning and security advices for using the system.
- ▶ The product heats during operation. Make sure there is adequate ventilation. Ventilation slots must not covered.
- ▶ Only fuses of the specified type and nominal current may be used. The use of patched fuses is prohibited.

## Standards and norms

This product has left the factory in safety-related flawless and proper condition.

In order to maintain this condition and guarantee safety use, the user has to consider the security advices and warnings in this manual.

### EN 61326-3-1:2008

IEC 61326-1 applies to this part of IEC 61326 but is limited to systems and equipment for industrial applications intended to perform safety functions as defined in IEC 61508 with SIL 1-3.

The electromagnetic environments encompassed by this product family standard are industrial, both indoor and outdoor, as described for industrial locations in IEC 61000-6-2 or defined in 3.7 of IEC 61326-1.

Equipment and systems intended for use in other electromagnetic environments, for example, in the process industry or in environments with potentially explosive atmospheres, are excluded from the scope of this product family standard, IEC 61326-3-1.

Devices and systems according to IEC 61508 or IEC 61511 which are considered as “operationally welltried”, are excluded from the scope of IEC 61326-3-1.

Fire-alarm and safety-alarm systems, intended for protection of buildings, are excluded from the scope of IEC 61326-3-1.

## Typographic conventions

### Safety and warning notices

#### WARNING



Indicates a hazardous situation that, if not avoided, could result in death or serious injury.

#### CAUTION



Indicates a hazardous situation that, if not avoided, could result in minor or moderate injury.

---

# SAFETY

## Notices

### NOTICE

This text indicates situations or operation errors which could result in property damage or data loss.

### INFORMATION

This text indicates important information or operating instructions. Not observing these instructions could inhibit or impede you from successfully completing the tasks described in this documentation.

## Symbols



Denotes a warning that alerts you to take precautions to avoid injury. When this symbol is shown on the product, refer to the technical reference manual (ISO 7000-4034; 2004-01).



Indicates hazardous voltages.



Observe precautions for handling electrostatic sensitive devices.



Indicates the chassis terminal (IEC 60417-5020; 2002-10).



Direct current (IEC 60417-5031; 2002-10)



Alternate current (IEC 60417-5032; 2002-10)



Both direct and alternating current (IEC 60417-5033; 2002-10)



Three-phase alternating current (IEC 60417-5032-1; 2002-10)



Protective conductor terminal (IEC 60417-5019; 2006-08)



Equipment protected throughout by double insulation or reinforced insulation (IEC 60417-5172; 2003-02)



On (power) (IEC 60417-5007; 2002-10)



Off (power) (IEC 60417-5008; 2002-10)

## General information

### Environmental considerations

The following information refers to the environmental impact of the product and the product end-of-life handling. Observe the following guidelines when recycling a DEWETRON system:

▶ System and components recycling



The production of these components has required the extraction and use of natural resources. The substances contained in the system could be harmful to your health and to the environment if the system is improperly handled at its end of life. Recycle this product in an appropriate way to avoid an unnecessary pollution of the environment and to keep natural resources.

This symbol indicates that this system complies with the European Union's requirements according to Directive 2002/96/EC on Waste of Electrical and Electronic Equipment (WEEE). Further information about recycling can be found on the DEWETRON website ([www.dewetron.com](http://www.dewetron.com)).

▶ Restriction of hazardous substances

This product has been classified as Monitoring and Control equipment, and is outside the scope of the 2011/65/EU RoHS Directive. This product is known to contain lead.

### Problematic network stacks

Often intrusive IT software or network processes can interfere with the primary function of the DEWETRON system: to record data. Therefore we recommend strongly against the installation of IT/MIS software and running their processes on any DEWETRON data acquisition system, and cannot guarantee the performance of our systems if they are so configured.

### Warranty information

A copy of the specific warranty terms applicable to your DEWETRON product and replacement parts can be obtained from your local sales and service office.

### Legal information

#### Restricted rights legend

Use Austrian law for duplication or disclosure.

DEWETRON GmbH  
Parkring 4  
8074 Grambach  
Austria

TRION and OXYGEN are trademarks of DEWETRON GmbH.

Any other trademarks and registered trademarks are acknowledged to be the property of their owners.

#### Legal disclaimer

The information contained in this document is subject to change without notice.

DEWETRON GmbH (DEWETRON) shall not be liable for any errors contained in this document.

DEWETRON MAKES NO WARRANTIES OF ANY KIND WITH REGARD TO THIS DOCUMENT, WHETHER EXPRESS OR IMPLIED. DEWETRON SPECIFICALLY DISCLAIMS THE IMPLIED WARRANTIES OF MERCHANTABILITY AND FITNESS FOR A

---



# GENERAL INFORMATION

PARTICULAR PURPOSE. DEWETRON shall not be liable for any direct, indirect, special, incidental, or consequential damages, whether based on contract, tort, or any other legal theory, in connection with the furnishing of this document or the use of the information in this document.

## Printing history

Refer to the page bottom for printing version.

Copyright © DEWETRON GmbH

This document contains information which is protected by copyright. All rights are reserved. Reproduction, adaptation, or translation without prior written permission is prohibited, except as allowed under the copyright laws.

## Main system

### Key facts

- ▶ Box for connecting up to four DEWE-CAM-GIGE-120 or DEWE-CAM-GIGE-50-HD cameras to a DEWETRON system
- ▶ Small rugged housing for easy integration
- ▶ Integrated power supply for up to four cameras
- ▶ Integrated gigabit Ethernet interface switch
- ▶ Real-time data streaming at full resolution

### System specifications

<b>DEWE-CAM-GIGE-SPLIT-01</b>	
<b>General specifications</b>	
Input channels	4 channels for GIGE-120 (up to 120 frames per second in full resolution) or GIGE-50-HD cameras
Rated input voltage	9 to 30 V <sub>DC</sub> (max. 8 to 34 V <sub>DC</sub> )
Remote power supply	Yes (via D-SUB-9 socket)
Power supply for accessories	Yes (12 V <sub>DC</sub> , 1.5 A)
Ethernet interface	8x 10/100/1000 Base-T Ethernet ports
Operating temperature	0 °C (with pre-warmed unit) to +50 °C
Storage temperature	-20 °C to +70 °C
Humidity (operating)	10 % to 80 %, non condensing 5 % to 95 % rel. humidity
Power consumption	Typ. 55 W (four cameras attached)
Dimensions (L x W x H)	318 x 253 x 41.5 mm (12.5 x 9.9 x 1.6 in.)
Mass	800 g w/o cameras
<b>Connector overview</b>	
Power supply input	2-pin LEMO EGJ.2B.302
Power supply output (12 V <sub>DC</sub> , 1.5 A)	2-pin LEMO EGG.1B.302
Camera TRG / POW	5-pin LEMO EGG.1B.305 (4x)
Remote power input connector	Male D-SUB-9
Ethernet	RJ-45 (8x)
<b>Requirements</b>	Gbit LAN interface in base unit
	Min. Intel® Core™ i5 CPU and 3 GB RAM in base unit
	OXYGEN software and OXY-OPT-CAM-GIGE plugin

Tab. 1: System specifications DEWE-CAM-GIGE-SPLIT-01

# MAIN SYSTEM

## General description

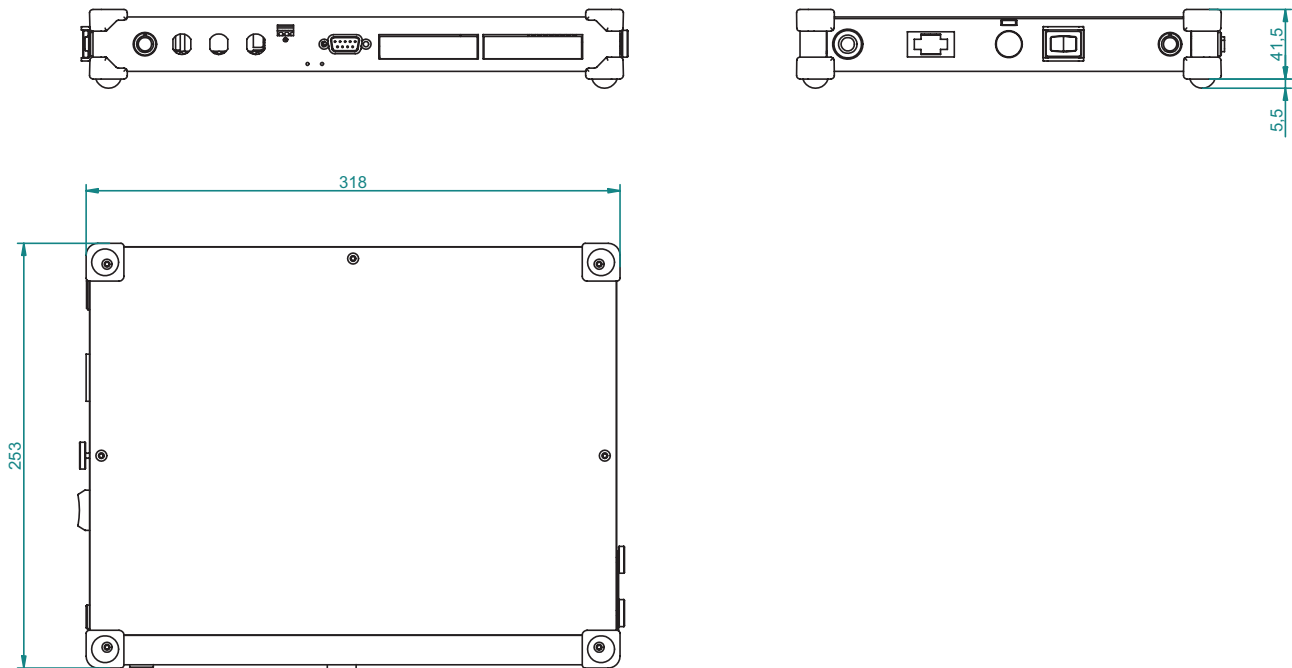
With its internal Gigabit Ethernet Switch this box is capable of connecting up to four high-speed DEWE-CAM-GIGE-120 or DEWE-CAM-GIGE-50-HD cameras to a DEWETRON unit.

The switch can handle 100 MB/s data which means two high-speed cameras with full resolution (640 x 480 px) at 80 fps.

As a special feature the DEWE-CAM-GIGE-SPLIT-01 Box comes with an integrated power supply for up to four cameras (9..30 V<sub>DC</sub>), including the possibility to remotely power-on the box via a 9-pin DSUB socket.

The DEWE-CAM-GIGE-SPLIT-01 box usually could be used with any DEWETRON instrument which has minimum an Intel® Core™ i5 CPU and 3 GB RAM as well as GBit LAN interface installed in base unit, but the footprint is designed to match DEWE2/DEWE3-A4 and DEWE2/DEWE3-M4 instruments provided with a mechanical connection.

## Dimensions\*

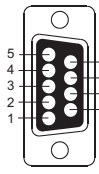


\*) Dimensions in mm (1 inch = 25.4 mm)

Fig. 2: Dimensions DEWE-CAM-GIGE-SPLIT-01



# MAIN SYSTEM

No.	Element	Description																						
7.	TRG In / Remote On connector  <b>INFORMATION</b> Remote ON voltage: 4.5 V .. 12.5 V.	 <p>In conjunction with the remote power-on switch the DEWE-CAM-GIGE-SPLIT-01 box can be powered-on remotely.</p> <p>Pin assignment:</p> <table border="0"> <tr> <td>1: TRG+</td> <td>6: TRG GND</td> </tr> <tr> <td>2: Remote ON+</td> <td>7: n.c.</td> </tr> <tr> <td>3: n.c.</td> <td>8: n.c.</td> </tr> <tr> <td>4: n.c.</td> <td>9: n.c.</td> </tr> <tr> <td>5: Remote ON GND</td> <td></td> </tr> </table>	1: TRG+	6: TRG GND	2: Remote ON+	7: n.c.	3: n.c.	8: n.c.	4: n.c.	9: n.c.	5: Remote ON GND													
1: TRG+	6: TRG GND																							
2: Remote ON+	7: n.c.																							
3: n.c.	8: n.c.																							
4: n.c.	9: n.c.																							
5: Remote ON GND																								
8.	Status / power LED	<p>The LEDs display both status &amp; power of the integrated switch.</p> <table border="1"> <thead> <tr> <th>LED</th> <th>Color</th> <th colspan="2">Function</th> </tr> </thead> <tbody> <tr> <td rowspan="2">P1</td> <td rowspan="2">GREEN</td> <td>Lights</td> <td>Power 1 is active.</td> </tr> <tr> <td>OFF</td> <td>Power 1 is inactive</td> </tr> <tr> <td rowspan="2">P2</td> <td rowspan="2">GREEN</td> <td>Lights</td> <td>Power 2 is active.</td> </tr> <tr> <td>OFF</td> <td>Power 2 is inactive.</td> </tr> <tr> <td rowspan="2">P3</td> <td rowspan="2">GREEN</td> <td>Lights</td> <td>Indicates neither Power 1 nor 2 is active.</td> </tr> <tr> <td>OFF</td> <td>No failure.</td> </tr> </tbody> </table>	LED	Color	Function		P1	GREEN	Lights	Power 1 is active.	OFF	Power 1 is inactive	P2	GREEN	Lights	Power 2 is active.	OFF	Power 2 is inactive.	P3	GREEN	Lights	Indicates neither Power 1 nor 2 is active.	OFF	No failure.
LED	Color	Function																						
P1	GREEN	Lights	Power 1 is active.																					
		OFF	Power 1 is inactive																					
P2	GREEN	Lights	Power 2 is active.																					
		OFF	Power 2 is inactive.																					
P3	GREEN	Lights	Indicates neither Power 1 nor 2 is active.																					
		OFF	No failure.																					
9.	Gbit LAN interface connectors	<p>The DEWE-CAM-GIGE-SPLIT-01 box supports 10/100/1000 BaseT Ethernet with standard RJ45 connector.</p> <table border="1"> <thead> <tr> <th>LED</th> <th>Color</th> <th colspan="2">Function</th> </tr> </thead> <tbody> <tr> <td rowspan="3">1000</td> <td rowspan="3">GREEN</td> <td>Lights</td> <td>Indicates the port is successfully connecting to the network at 1000 Mbps.</td> </tr> <tr> <td>Blinks</td> <td>Indicates that the port is actively sending or receiving data over that port.</td> </tr> <tr> <td>OFF</td> <td>Indicates that no device is attached or it is successfully connecting to the network at 10 Mbps or 100 Mbps.</td> </tr> <tr> <td rowspan="3">100</td> <td rowspan="3">GREEN</td> <td>Lights</td> <td>Indicates the port is successfully connecting to the network at 100 Mbps.</td> </tr> <tr> <td>Blinks</td> <td>Indicates that the port is actively sending or receiving data over that port.</td> </tr> <tr> <td>OFF</td> <td>No device is attached.</td> </tr> </tbody> </table>	LED	Color	Function		1000	GREEN	Lights	Indicates the port is successfully connecting to the network at 1000 Mbps.	Blinks	Indicates that the port is actively sending or receiving data over that port.	OFF	Indicates that no device is attached or it is successfully connecting to the network at 10 Mbps or 100 Mbps.	100	GREEN	Lights	Indicates the port is successfully connecting to the network at 100 Mbps.	Blinks	Indicates that the port is actively sending or receiving data over that port.	OFF	No device is attached.		
LED	Color	Function																						
1000	GREEN	Lights	Indicates the port is successfully connecting to the network at 1000 Mbps.																					
		Blinks	Indicates that the port is actively sending or receiving data over that port.																					
		OFF	Indicates that no device is attached or it is successfully connecting to the network at 10 Mbps or 100 Mbps.																					
100	GREEN	Lights	Indicates the port is successfully connecting to the network at 100 Mbps.																					
		Blinks	Indicates that the port is actively sending or receiving data over that port.																					
		OFF	No device is attached.																					

Tab. 2: Connections and ports DEWE-CAM-GIGE-SPLIT-01



## Frame rates

### DEWE-CAM-GIGE-120 frame rates at different Aoi

DEWE-CAM-GIGE-120 Aoi (area of interest) with OXYGEN software release 5.5 or newer. The storage ability depends on the system configuration.

Connected cameras	Resolution (px)	Max. fps	Bandwidth [MB/s]
2	640 x 480	125	75
2	640 x 240	210	62
3	640 x 480	120	105
3	640 x 240	210	92
4	640 x 480	90	105
4	640 x 240	180	105

Tab. 3: DEWE-CAM-GIGE-120 frame rates at different Aoi

### DEWE-CAM-GIGE-50-HD frame rates at different Aoi

DEWE-CAM-GIGE-50-HD Aoi (area of interest) with OXYGEN software release 5.5 or newer. The storage ability depends on the system configuration.

Connected cameras	Resolution (px)	Max. fps	Bandwidth [MB/s]
1	2048 x 1088	48	102
1	2048 x 500	100	102
1	1280 x 1024	80	100
2	2048 x 1088	24	100
2	2048 x 500	50	104
2	1280 x 1024	40	100
3	2048 x 1088	15	95
3	2048 x 500	30	90
3	1280 x 1024	25	95
4	2048 x 1088	10	85
4	2048 x 500	20	85
4	1280 x 1024	18	90

Tab. 4: DEWE-CAM-GIGE-50-HD frame rates at different Aoi

# MAIN SYSTEM

## Mounting examples

The DEWE-CAM-GIGE-SPLIT-01 camera split box is designed to be used with any DEWETRON instrument, but especially with a DEWE2/DEWE3-A4/M4 system, the camera split box fits perfectly underneath.

Fig. 4 shows a DEWE2-A4 on a DEWE-CAM-GIGE-SPLIT-01 box:



Fig. 4: Mounting example

## Maintenance and service

The information in this section is designed for use by qualified service personal.

### Service interval

Clean dust from the chassis exterior/interior and exchange filter foam based on the operating environment.

### Cleaning

- ▶ Clean surface of the chassis with dry lint-free cloth.
- ▶ Use a dry velocity stream of air to clean the chassis interior.

Do not use harsh chemical cleaning agents.

#### NOTICE



Many components within the chassis are sensitive to static discharge damage. Always wear a ground wrist strap and service the unit only in static-free environment.

#### WARNING



##### Risk of injury

Disconnect all cables before servicing the unit.



### Replacing the fuse

The DEWE-CAM-GIGE-SPLIT-01 box is protected by a user replaceable 20 A ATO fuse.

#### INFORMATION

The fuse has to be replaced by the same type.

## Updates

### Software updates

#### NOTICE

The system BIOS is protected by password. Any change in the BIOS may cause a system crash. When the system is booting, do not press ESC-button on keyboard. This may clear the BIOS settings and cause system faults.

Any change in the file structure as deleting or adding files or directories might cause a system crash.

Before installing software updates contact DEWETRON or your local distributor. Use only software packages which are released by DEWETRON. Further information is also available in the Internet (<http://www.dewetron.com>).

After power off the system wait at least 10 seconds before switching the system on again. Otherwise the system may not boot correct. This prolongs also the life of all system components.

---

# MAINTENANCE AND SERVICE

## Windows and antivirus/security software

Before installing Windows software updates consult with DEWETRON for compatibility guidance. Also keep in mind that the use of any antivirus or other security software may slow down your system and may cause data loss.

## Training

DEWETRON offers training at various offices around the world several times each year. DEWETRON headquarters in Austria have a very large and professional conference and seminar center, where training classes are conducted on a regular basis starting with sensors and signal conditioning, A/D technology and software operation.

Dewetron Inc. in the USA also has a dedicated training facility connected to its headquarters, located in Rhode Island.

For more information about training services visit <https://www.dewetron.com/academy>.

## Calibration

Every instrument needs to be calibrated at regular intervals. The standard norm across nearly every industry is annual calibration. Before your DEWETRON data acquisition system is delivered, it is calibrated at our DEWETRON headquarters. Each of this system is delivered with a certificate of compliance with our published specifications. Detailed calibration reports from our calibration system are available for purchase with each order. We retain them for at least one year, so calibration reports can be purchased for up to one year after your system was delivered.

## Support

DEWETRON has a team of people ready to assist you if you have any questions or any technical difficulties regarding the system. For any support contact your local distributor first or DEWETRON directly.

For Asia and Europe contact:

DEWETRON GmbH  
Parkring 4  
8074 Grambach  
AUSTRIA  
Tel.: +43 316 3070  
Fax: +43 316 3070-90  
E-Mail: [support@dewetron.com](mailto:support@dewetron.com)  
Web: <http://www.dewetron.com>

The telephone hotline is available  
Monday to Friday between  
08:00 and 17:00 CET (GMT +1:00).

For the Americas contact:

DEWETRON Inc. (HQ USA)  
2850 South County Trail, Unit 1  
East Greenwich, RI 02818  
USA  
Tel.: +1 401 284 3750  
Toll-free: +1 866 598 3393  
Fax: +1 401 284 3750  
Email: [support@dewetron.com](mailto:support@dewetron.com)  
Web: <http://www.dewetron.com>

The telephone hotline is available  
Monday to Friday between  
08:00 and 16:30 EST

## Service and repairs

We are very sorry that your DEWETRON system is not operating properly. Our team is here to ensure that your DEWETRON product is returned to peak performance as quickly as possible.

Help us to provide you with the best support by following the RMA policy.

Some problems can be solved remotely by our support team. To facilitate a quicker resolution to the problem and save unnecessary shipping costs, we ask you to first have your problem investigated by our technical support before sending your product. Contact details for our support can be found on our website. Describe the error accurately and with as much detail as possible. This helps expedite the repair process.

If a repair is necessary, complete our online [RMA form](#). You will then receive an RMA (Return Material Authorization) number and detailed instructions that identify where to ship the damaged product.

---

# MAINTENANCE AND SERVICE

Products arriving at our repair department without RMA require follow-up calls and investigation, which lead to a longer turnaround. Only the team of DEWETRON is allowed to perform any kinds of repairs to your system to assure a safe and proper operation in future.

---

## **INFORMATION**

Only the team of DEWETRON is allowed to perform any kinds of repairs to your system to assure a safe and proper operation in future. For information regarding service and repairs contact your local distributor first or DEWETRON directly.

---

## **INFORMATION**

Any spare parts (screws, backplanes, cables etc.) must be obtained from DEWETRON only.

---



---

# MAINTENANCE AND SERVICE

Notes

---

# CERTIFICATE OF CONFORMITY

## Certificate of conformity



Manufacturer

DEWETRON GmbH

Address

Parkring 4  
8074 Grambach, Austria  
Tel.: +43 316 3070-0  
Fax: +43 316 3070-90  
Email: sales@dewetron.com  
<http://www.dewetron.com>

Name of product

**DEWE-CAM-GIGE-SPLIT-01**

Kind of product

*Camera split box*

The product meets the regulations of the following EC-directives:

**2014/35/EU**

**Directive of the European Parliament and of the Council of 26 February 2014 on the harmonization of the laws of the Member States relating to the making available on the market of electrical equipment designed for use within certain voltage limits**

**2014/30/EU**

**Directive of the European Parliament and of the Council of 26 February 2014 on the harmonisation of the laws of the Member States relating to electromagnetic compatibility (recast)**

The accordance is proved by the observance of the following standards:

<b>L V E M C</b>	<b>Safety</b>	IEC 61010-1:2010, Pol. deg. 2	
	<b>Emissions</b>	EN 61000-6-4	EN 55011 Class B
	<b>Immunity</b>	EN 61000-6-2	Group standard

**Graz, July 04, 2016**

Place / Date of the CE-marking

Ing. Thomas Propst / Manager Total Quality

▼

---

# CERTIFICATE OF CONFORMITY

Notes