



DEWETRON

---

# MOB-DISP-T12

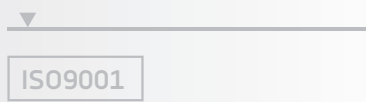
## TECHNICAL REFERENCE MANUAL

---

### WELCOME TO THE WORLD OF DEWETRON!

Congratulations on your new device! It will supply you with accurate, complete and reproducible measurement results for your decision making.

Look forward to the easy handling and the flexible and modular use of your DEWETRON product and draw upon more than 25 years of DEWETRON expertise in measurement engineering.



CUSTOMIZED



MODULAR



COMPETENT



COMMITTED



APPROVED

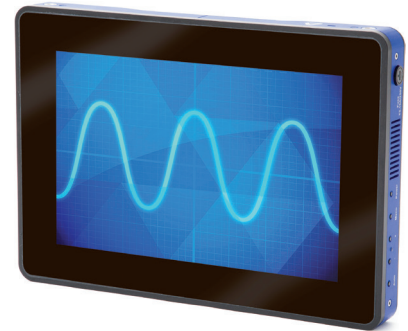
Copyright © DEWETRON GmbH

This document contains information which is protected by copyright. All rights are reserved. Reproduction, adaptation, or translation without prior written permission is prohibited, except as allowed under the copyright laws.

All trademarks and registered trademarks are acknowledged to be the property of their owners.  
DEWESoft™ is a trademark of Dewesoft d.o.o

## MOB-DISP-T12 - external mobile display

- > For mobile usage in conjunction with DEWETRON data acquisition systems or any other mobile PC system
- > 12.1" multi-touch display
- > Resolution: 1280 x 800 (WXGA)



## Specifications

| MOB-DISP-T12                               |   |
|--|---|
| TFT Display                                | Yes   |
| Diagonal                                   | 12.1"   |
| Interface                                  | Analog RGB and HDMI                                 |
| Resolution                                 | 1280 x 800 (WXGA)                                   |
| Colors                                     | 16.78 million (24 bit)                              |
| Luminance                                  | 400 cd/m <sup>2</sup> base brightness               |
| Brightness control                         | Via OSD   |
| Contrast ratio                             | 1000:1  |
| Vertical frequency                         | 75 Hz   |
| Power supply: rated (max)                  | 11 to 32 V <sub>DC</sub> (9 to 36 V <sub>DC</sub> ) |
| Power consumption                          | Typ. 20 W (1.7 A @ 12 V)                            |
| Dimensions without suction cup (W x H x D) | 338 x 36 x 236 mm (13.3 x 1.42 x 9.3 in.)           |
| Weight                                     | 2.15 kg (4.7 lbs)                                   |
| Mounting                                   | VESA-75 threads, 2 suction cups included            |
| Multi-touch interface                      | USB (PCAP)  |

**Caution:**

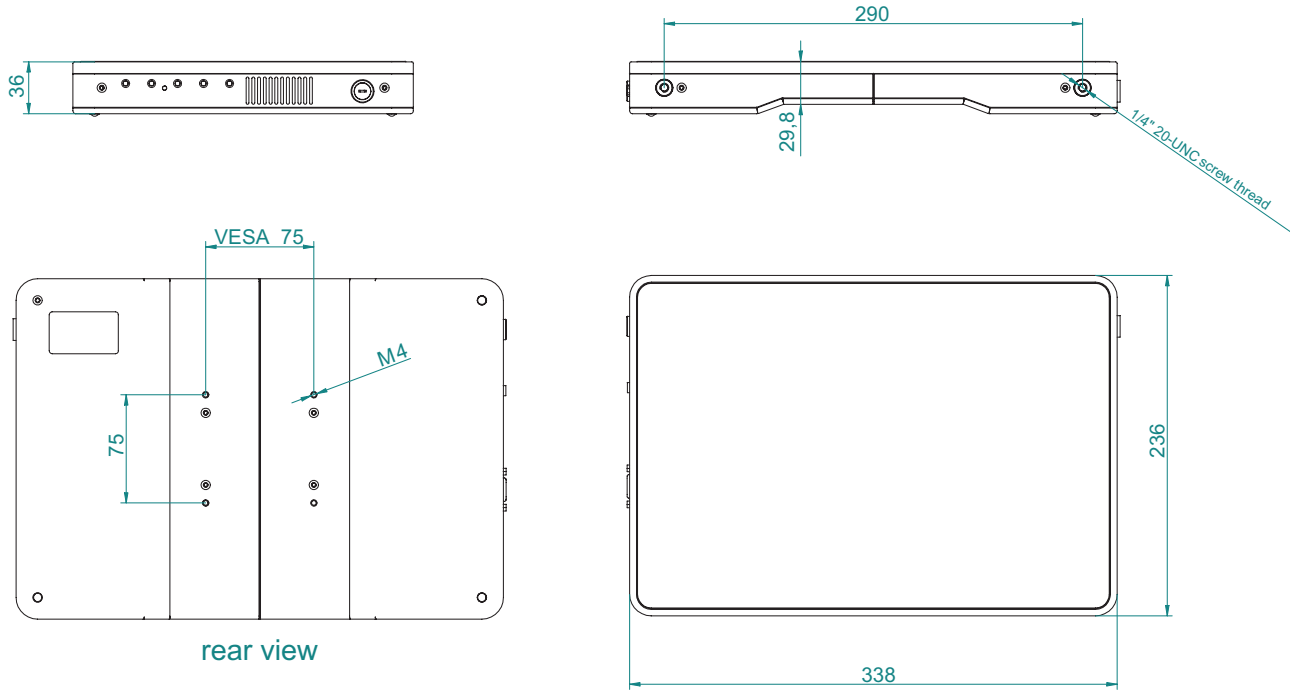


*Do not place the display in front of the air bag module cover or in front of the seat areas that may come in contact with a deploying air bag!*

*Any heavy object within a moving vehicle can become a deadly projectile due to sudden stops or changes in direction, therefore all possible care should be taken to ensure that all occupants and objects within a vehicle are carefully and securely held down according to all applicable federal and local laws and ordinances, company policies, and common sense. Always secure the MOB-DISP-T12 or any heavy object with at least equal care as you would use for a human being. This is for the safety of the human beings who might be in or around the vehicle. DEWETRON cannot be responsible for injury, death, damage, or any kind of loss resulting from the use, proper or improper, of the MOB-DISP-T12, or any other items or services provided by DEWETRON. Use them at your own risk.*

# MOB-DISP-T12

## Dimensions \*



\* Dimensions in mm  
(25.4 mm = 1 inch)

## MOB-DISP-T12 connectors

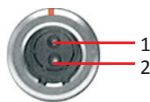
Typical MOB-DISP-T12 left side view (connectors)



- 1 Power supply input connector
- 2 HDMI interface connector
- 3 VGA interface connector
- 4 USB interface connector

### 1 Power supply input connector

The display requires supply voltage within 11 to 32 V<sub>DC</sub>. A power supply cable or external 115 / 230 VAC power supply is included with shipment (depending on system configuration).



- Pin assignment:
- 1 (+) PWR 11 to 32 V<sub>DC</sub>
  - 2 (-) GND

### 2 HDMI interface connector

Meets the standard HDMI specifications. Shipment includes *no* HDMI cable.

### 3 VGA interface connector

Meets the standard VGA specifications. Shipment includes a 3 m VGA cable.

### 4 USB interface connector

USB interface connector for touch-screen. Meets the standard USB specifications. Shipment includes a USB cable.

**NOTE:** The loudspeaker socket is not wired internally so there is no audio output available.

Typical MOB-DISP-T12 rear view



Standard VESA-75 threads

MOB-DISP-T12 with mounted suction cups



# MOB-DISP-T12

## MOB-DISP-T12 user interface

Typical MOB-DISP-T12 right side view (user interface)



The MOB-DISP-T12 includes a simple on-screen menu for making adjustments to the display. This menu, called OSD (on-screen display), is activated by pressing the menu button located on the right side of the MOB-DISP-T12.

### 1 AUTO button

OSD ON: Exit from OSD

OSD OFF: Select input (HDMI, VGA)

### 2 MINUS button (-)

OSD ON: Navigate through OSD menu

OSD OFF: Decrease volume (not available)

### 3 LED

GREEN: MOB-DISP-T12 is ON and input signal found (VGA/HDMI)

RED: MOB-DISP-T12 is ON but no input signal found (VGA/HDMI).

### 4 PLUS button (+)

OSD ON: Navigate through OSD menu

OSD OFF: Increase volume (not available)

### 5 MENU button

OSD ON: Enter key

OSD OFF: Enter OSD menu

### 6 POWER button

Power on/off the MOB-DISP-T12.

### 7 Fuse

The MOB-DISP-T12 is secured by an exchangeable 15 A / 250 V T3 fuse.

### Button lock

To lock/unlock the buttons of the user interface make sure to exit the OSD first. Press the (-) and MENU button at the same time.