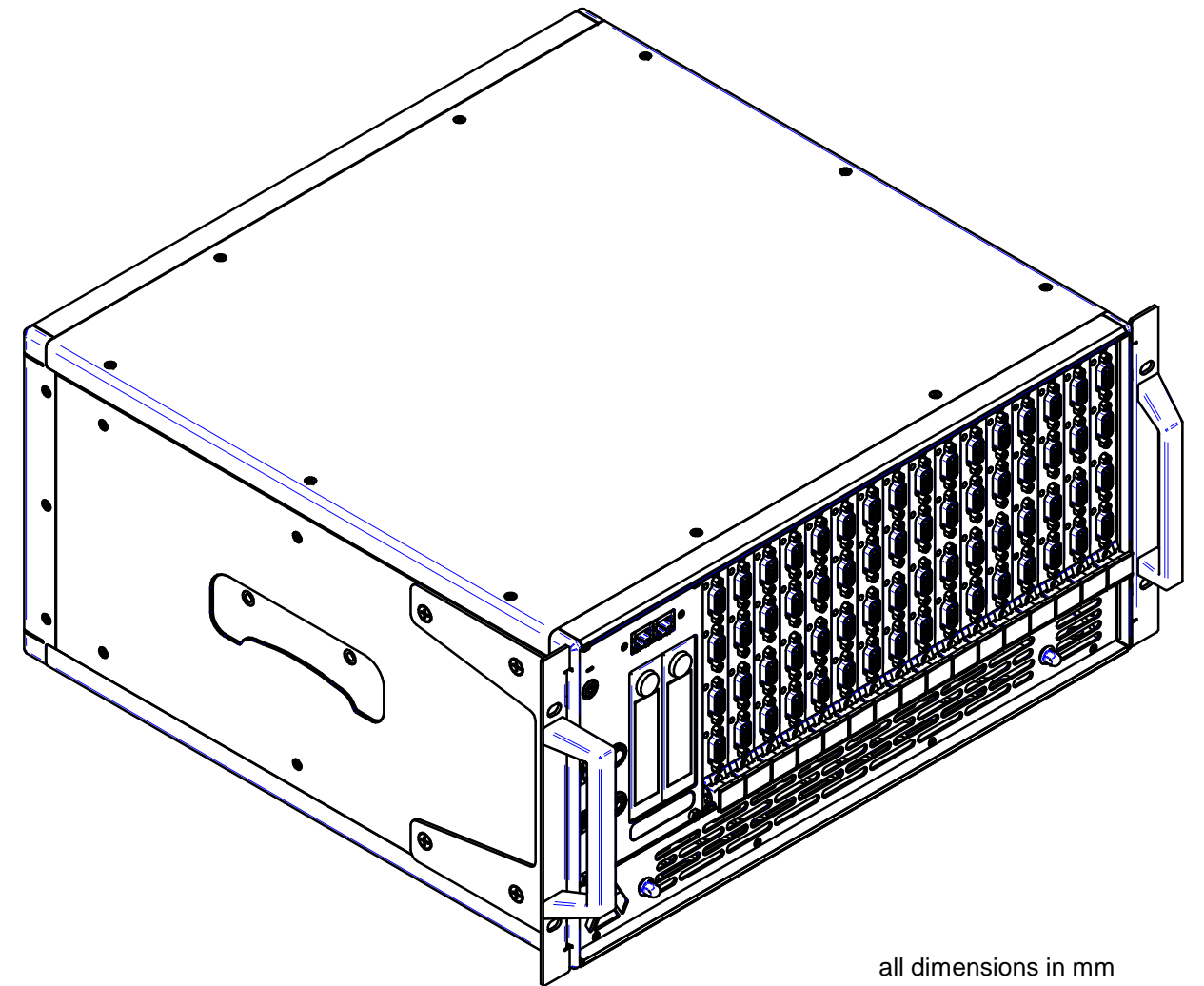
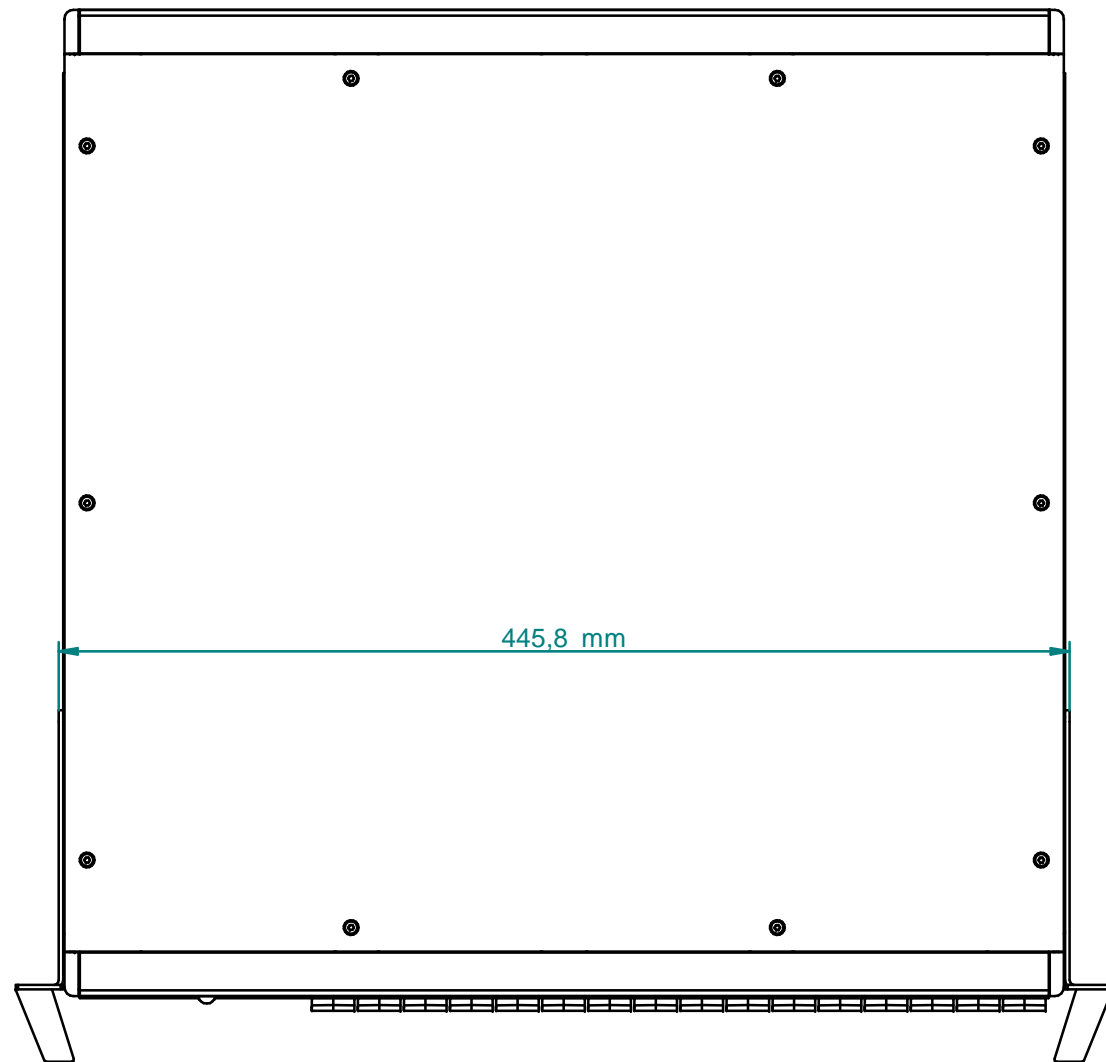
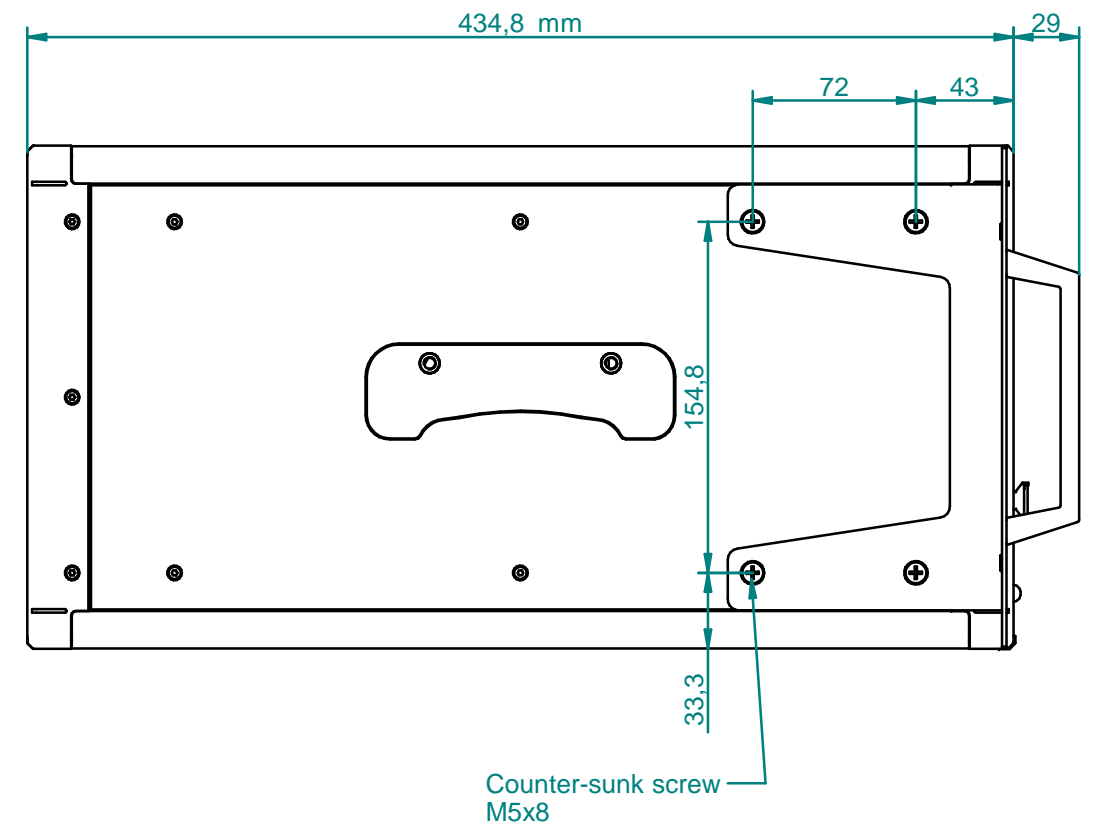
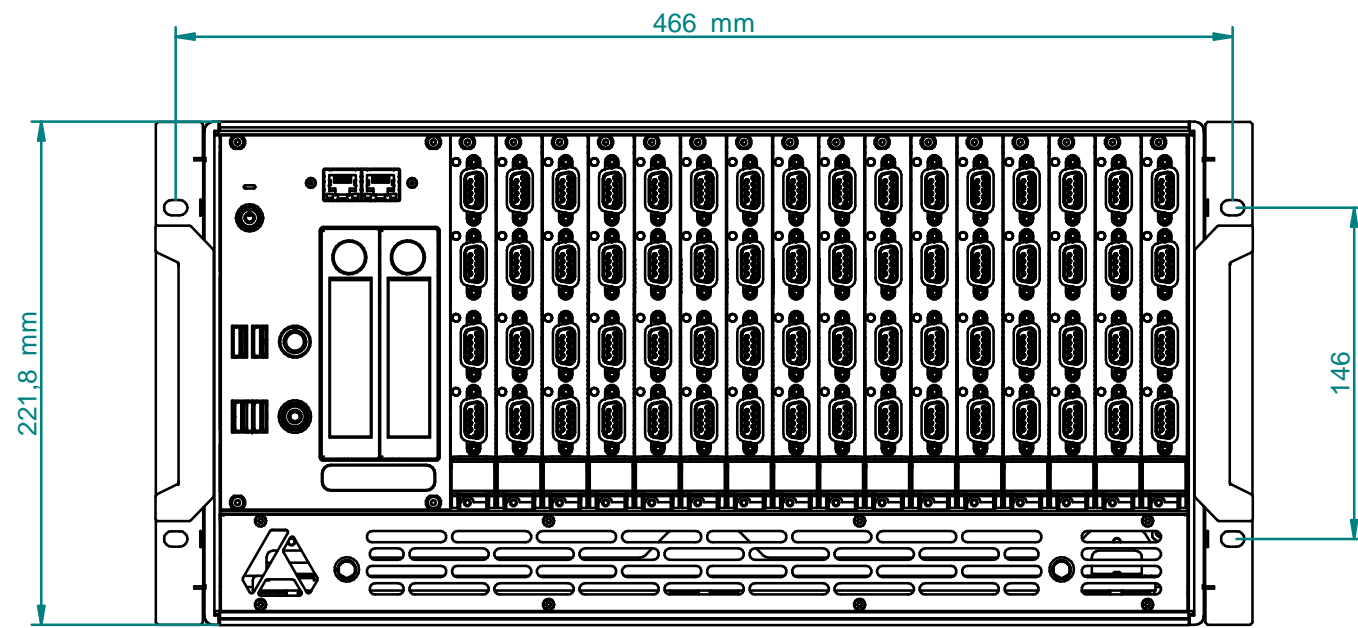


all dimensions in mm



all dimensions in mm