

DW3-UPS-DC



Key facts

- ▶ DC power supply with 3 hot swappable batteries
- ▶ 250 W power for one hour with internal batteries
- ▶ Output voltage of 28.8 V_{DC} nominal
- ▶ Charge and discharge state via USB-C
- ▶ Including external 115 / 230 V_{AC} adapter
- ▶ 3 operation modes: BAT, UPS, FLIGHT
- ▶ OXYGEN plugin for seamless integration and remote control



System specifications

DW3-UPS-DC		
Input		
Rated input voltage	11 to 32 V _{DC} (input galvanically isolated and protected against reverse polarity)	
Max. input current	30 A	
Max. input power	280 W	
Input connector	2-pin female LEMO connector (EGJ.3B.302)	
Output		
Output voltage	Nominal: 28.8 V _{DC} (24 to 35.5 V absolute maximum, depending on battery state)	
Output power	max. 250 W (with 3 batteries installed)	
Output current	7.1 A (when powered from DC) 10.4 A (when powered from 3 internal batteries @ 24 V output)	
Output connector	2-pin female LEMO connector (EGG.2B.302)	
Batteries		
Type	Li-ion PH3059HD29 (item code: BAT-28V-81WH)	
Nominal voltage	28.8 V	
Energy density	80.6 Wh (241.8 Wh with 3 batteries installed)	
Battery slots	3 battery slots available (3 batteries included with delivery)	
Expectable runtime with 3 batteries		
– Average configuration i.e.	DEWE3-A4	TRIONet3
– Max. config.	2x TRION3-18xx-POWER: ~2 h 4x TRION3-18xx-MULTI: ~1.2 h	1x TRION3-18xx-POWER: ~8 h 2x TRION3-18xx-MULTI: ~4.5 h
Environmental specifications		
Operating temperature	0 to +50 °C when discharging batteries 0 to +40 °C when charging batteries	
Storage temperature	-20 °C to +60 °C	
Humidity	10 % to 80 %, non condensing; ≤80 % rel. humidity	
Dimensions (W x H x D)	approx. 320.5 x 273 x 46 mm (12.61 x 10.75 x 1.81 in)	

Tab. 1: System specifications

DW3-UPS-DC	
Weight (box with 3 batteries)	3.42 kg
– Battery (1 pc)	0.52 kg
– Box	1.86 kg
– Power adapter	1.04 kg
Vibration test; EN 60068-2-6	
Shape	Sine
Frequency range	10–150 Hz
Acceleration	20 m/s ²
Sweep rate	1 oct./min.
Duration test in 3 directions	20 cycles
Vibration test; EN 60721-3-2; Class 2M2	
Shape	Random
Frequency range	10–200 Hz
Spectral acceleration density	$\frac{1 \text{ m/s}^2}{\text{Hz}}$ from 10–200 Hz
Duration	30 min per axis
Shocktests; EN 60068-2-27	
Pulse form	Half-sine
Acceleration amplitude	15 g
Duration	11 ms
Direction	Test in 3 axes, 3 shocks in each axis and direction

Tab. 1: System specifications

Accessories

Accessories	
BAT-28V-CHARGER-1	Desktop battery charger for 1x 28.8 V battery, incl. external AC adapter. Applicable for DEWE3-M8s and DW3-UPS-DC.
BAT-28V-81WH	Lithium-ion battery, 28.8 V, 81 Wh, max. 12 A, weight 520 g

Tab. 2: Accessories

Dimensions

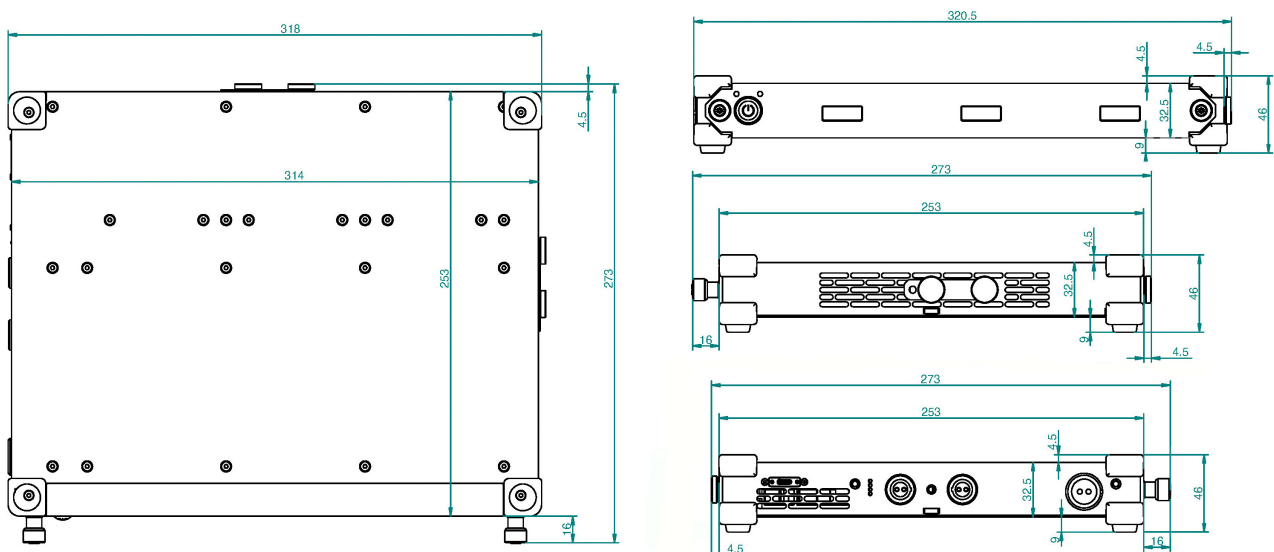


Fig. 1: Dimensions (in mm)